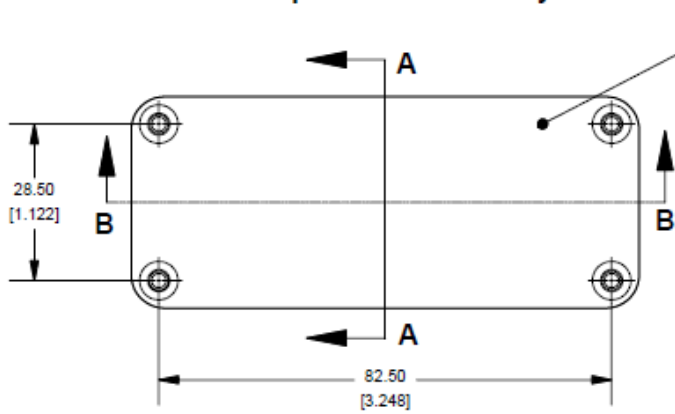
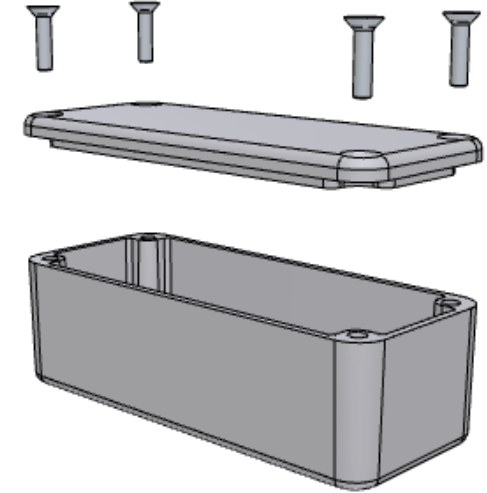
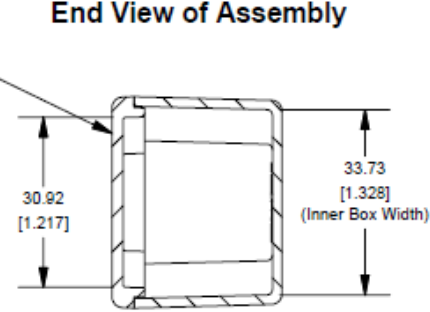


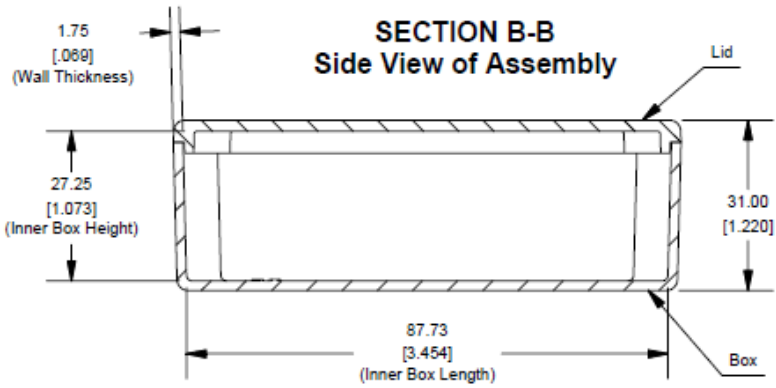
Top View of Assembly



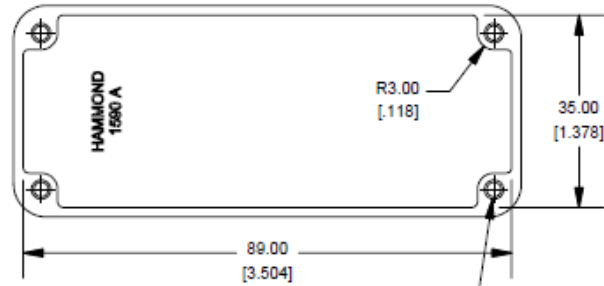
**SECTION A-A
End View of Assembly**



**SECTION B-B
Side View of Assembly**

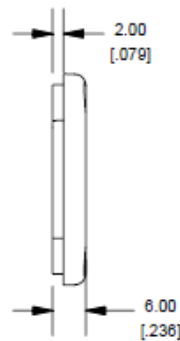
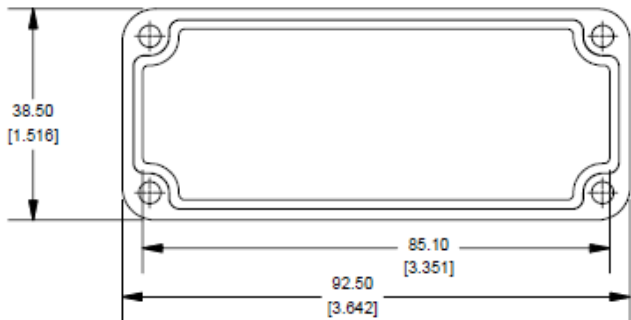


Top View Looking Inside Box



8-32 UNC - 2B ∇ 10.00
 \perp ϕ 3.50 ∇ 3.00
 (Threaded Holes)

Lid



NOTE

Purchased assembly includes box, lid and 4 cover screws.
 Box and lid are made from Diecast Aluminum Alloy (alloy type 360).
 Silicone Gasket Loctite #5950

PART NUMBERS

1590A Enclosure	
Unfinished	1590A
Grey Textured Polyester Powder Paint - RAL 7036	1590AGY
Black Textured Polyester Powder Paint - RAL 9011	1590ABK
1590A Liquid Resistant Enclosure (Silicon Factory Installed Gasket)	
Unfinished	1590WA
Black Textured Powder Paint	1590WABK
ACCESSORIES	
Recommended Torque: 76 ozf.in / 65 oN.m	
Black Textured Cover Screws (Pkg 50) [8-32 x 1/2" S8 Type 304]	1590WMS100BK
Unfinished Cover Screws (Pkg 100) [8-32 x 1/2" Nickel Plated Screws]	1590WMS100
Standard Cover Screws	
Unfinished Cover Screws (Pkg 100) [8-32 x 1/2" Nickel Plated Screws]	1590MS100
Black Textured Cover Screws (Pkg 50) [8-32 x 1/2" S8 Type 304]	1590MS100BK